



## High-Speed CO<sub>2</sub> sensor

### Up to 20 measurements per second

The SprintIR<sup>®</sup>-6S is part of a range of CO<sub>2</sub> sensors designed to deliver unprecedented high-speed measurement capability.

The SprintIR<sup>®</sup>-6S will take up to 20 readings per second, making it ideal for applications that require individual measurements at high repetition rates or where the CO<sub>2</sub> concentration is changing rapidly.

#### About SprintIR<sup>®</sup>- 6S

The SprintIR<sup>®</sup>-6S is fitted with a standard flow-through adaptor so the CO<sub>2</sub> gas can be passed over the optical sensor at high speed. Other customised adaptors are also possible depending on the installation requirements.

The SprintIR<sup>®</sup>-6S uses patented NDIR solid-state LED optical technology enabling the sensor to respond to rapidly changing CO<sub>2</sub> without compromising parametric performance.

#### Features

- 20 readings per second
- Optional customised flow adaptors
- Low-power CO<sub>2</sub> sensor
- Solid-state LED optical technology
- UART data interface
- Built-in auto-calibration

#### Applications

- Healthcare
- Food Packaging
- Sport Science
- CO<sub>2</sub> Fire Suppression Deployment



#### CO<sub>2</sub> Sensor Specifications

Measurement Ranges	0-5%, 0-20%, 0-60%, 0-100%
Accuracy (typ.)	0-60% ±(70ppm +5% of reading) 0-100% ±(300ppm +5% of reading)
Time to 1st Reading	<0.5 seconds
Response Time	Flow dependent
Readings per Second	20
Sample Method	Solid-state LED NDIR Diffusion

Rev.I\_062020\_SprintIR-6S\_engl • Subject to change

## SprintIR<sup>®</sup> Series

Further models from our series



SprintIR<sup>®</sup>-R  
High-Speed  
CO<sub>2</sub> Sensor



SprintIR<sup>®</sup>-W  
High-Speed  
CO<sub>2</sub> Sensor

### Electrical and Mechanical Specifications

Measurement Output	UART
Supply Voltage	3.25V - 5.5V
Power Consumption (typ.)	35mW @ 3.3V
Dimensions and Weight	ø23.8mm x 24mm, 7.5g

### Operating Conditions

Operating Conditions - Temperature	0°C to 50°C
Operating Conditions - Humidity	0-95% RH, non-condensing
Storage Conditions - Temperature	-40°C to +70°C
Pressure Dependence	500mbar - 2bar
Sensor Lifetime	>15 years
Environmental Compliance	RoHS and REACH

### Ordering Information

#### SPRINTIR-6S-X-X

X	Measurement Range
5	0-5%
20	0-20%
60	0-60%
100	0-100%

X	Gas Cover
Blank	Flow through adaptor as standard
M	Membrane instead of flow adaptor

Discover also our further product series

## CozIR® Series



Ultra-Low-Power CO<sub>2</sub> sensors

## ExplorIR® Series



Small footprint CO<sub>2</sub> Sensors



HTK Hamburg GmbH  
Frahmredder 49  
22393 Hamburg

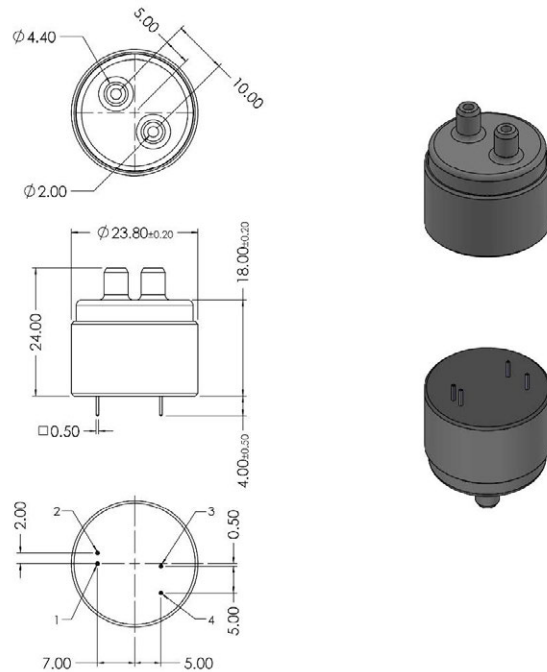
Phone: +49 (0)40 - 600 38 38 - 0  
Fax: +49 (0)40 - 600 38 38 - 99  
info@htk-hamburg.com

Gas Sensing Solutions Ltd.  
60-62 Grayhill Road  
Westfield North Courtyard  
Cumbernauld,  
United Kingdom, G68 9HQ

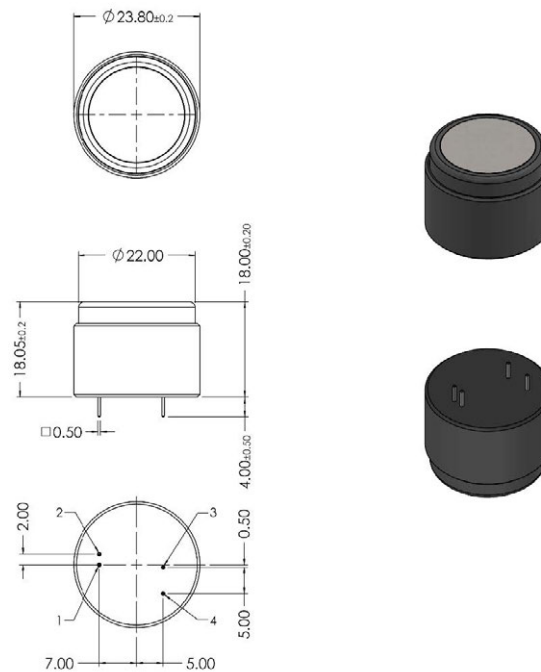
© Copyright 2019 - All contents of this document, in particular Texts, photographs and graphics are protected by copyright. All rights, including reproduction, publication, processing and translation are reserved, HTK Hamburg GmbH. Please contact HTK Hamburg GmbH if you would like to use the contents of this document.

Rev.l\_062020\_SprintIR-6S\_engl • Subject to change

### Dimension Drawing - SprintIR® - 6S



### Dimension Drawing - SprintIR® - 6S with membrane cover



### Pin-Out Description - SprintIR® - 6S

Pin	Name	Type	Description
1	Rx_In	Digital Input	UART Receive Input
2	Tx_Out	Digital Output	UART Transmit Output
3	GND	Supply	Sensor ground
4	VDD	Supply	Sensor supply voltage